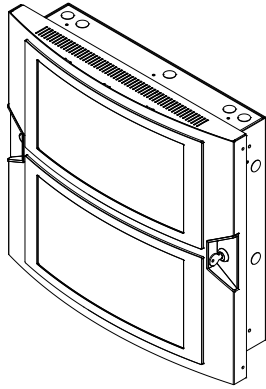


4-CAB16D Series Door Assembly Installation Sheet



Description

The 4-CAB16D Series Door Assembly consists of an inner and outer door. The outer door is secured with a key lock. A hinged inner door isolates the operator from the panel electronics and wiring. The doors can be mounted to either side of the backbox for left-open or right-open operation.

The inner door incorporates two 4-8ANNFA UI Frame Assemblies that provide mounting for user interface modules. The 4-FIL Blank Plates (sold separately) are used to cover open positions when no user interface module is installed.

Available 4-CAB16D models are listed below.

Model	Name
4-CAB16D	Bronze door assembly that includes the inner and outer doors. Used with the 3-CAB7B Equipment Backbox and the 4-16ANNMT.
4-CAB16DR	Red door assembly that includes the inner and outer doors. Used with the 3-CAB7B Equipment Backbox and the 4-16ANNMT.

Installation

Install this device in accordance with applicable national and local codes, ordinances, and regulations.

Note: The installation procedures for the 4-CAB16D(R) is the same when mounted on the 3-CAB7B or 4-16ANNMT backbox.

These instructions are for left-hand mounting of the outer door. For right-hand mounting, attach the backbox hardware, door hardware, and the door lock to the opposite side. Refer to Figure 1 through Figure 6 during installation procedures.

To install the backbox hardware:

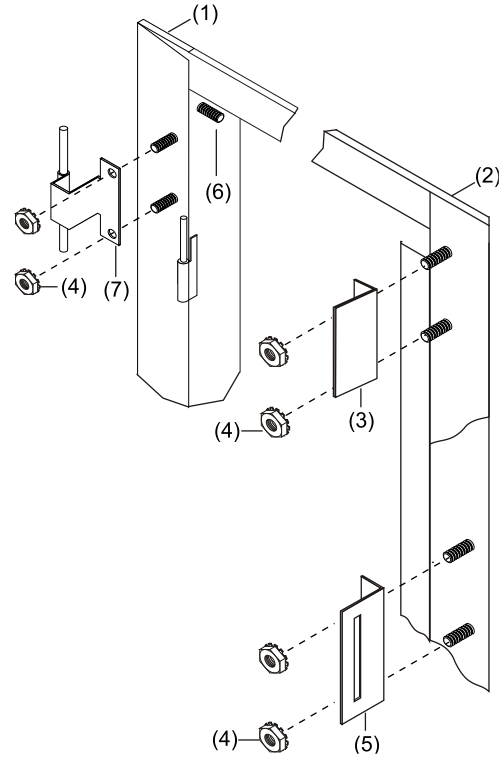
1. With the backbox securely mounted, attach the lock striker plate to the middle mounting studs on the backbox right flange. Secure using the hardware provided (Figure 1).
2. Attach the door stops to the top and bottom mounting studs on the backbox right flange. Secure using the hardware provided.

3. Attach the outer door hinges (male) to the mounting studs on the backbox left flange. Secure using the hardware provided.

To install the outer door hardware:

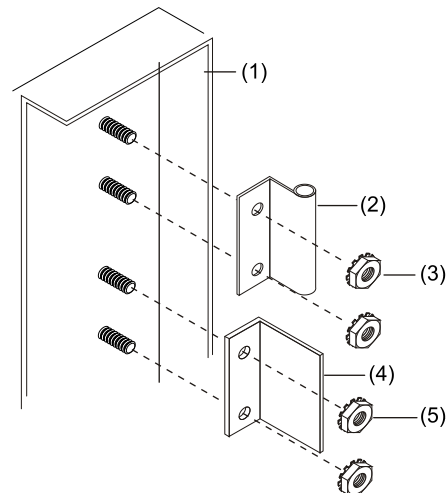
1. Place the outer door on a flat surface with the inside facing up.
2. Attach the outer door hinges (female) to the top and bottom mounting studs on the outer door. Secure using the hardware provided (Figure 2).

Figure 1: Backbox hardware installation



- | | |
|--------------------------|----------------------------------|
| (1) Backbox left flange | (5) Lock striker plate |
| (2) Backbox right flange | (6) Ground stud |
| (3) Door stop (2X) | (7) Outer door hinge (male) (2X) |
| (4) #8-32 K-nut (10X) | |

Figure 2: Outer door hardware installation



- | | |
|------------------------------------|----------------------|
| (1) Outer door | (4) Hinge stop |
| (2) Outer door hinge (female) (2X) | (5) #8-32 K-nut (2X) |
| (3) #8-32 K-nut (4X) | |

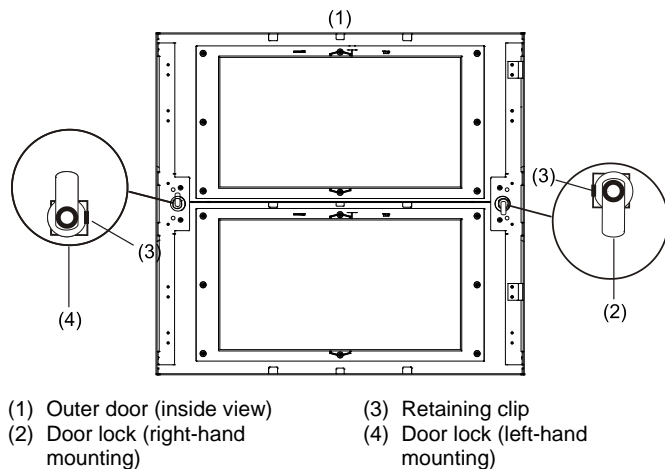


To assemble the outer door lock for right-hand operation:

Note: The door lock for the 4-CAB16D(R) is preinstalled for left-hand operation. Use the following procedures to change from left-hand to right-hand door lock operation.

1. Place the outer door on a flat surface with the inside facing up.
2. Remove the retaining clip securing the door lock, and then remove the door lock (Figure 3).
3. Insert the door lock through the key hole opposite the hinges, with the latch pointing towards the bottom of the door (Figure 3).
4. Secure the door lock with the retaining clip.
5. Remove the fasteners securing both door lock housings to the outer door, and then remove the housings (Figure 4).
6. Install the door lock housing with the knockout removed over the lock, and then secure it using the mounting hardware shown in Figure 4.
7. Install the door lock housing with the knockout installed on the side with no lock installed, and then secure it using the mounting hardware shown in Figure 4.

Figure 3: Outer door lock installation



- | | |
|-------------------------------------|------------------------------------|
| (1) Outer door (inside view) | (3) Retaining clip |
| (2) Door lock (right-hand mounting) | (4) Door lock (left-hand mounting) |

Caution: Equipment damage. Make sure that the ground straps are attached to the backbox in the horizontal position, parallel to the floor. If not properly installed, the ground strap can come in contact with adjacent connectors when the door is opened and closed.

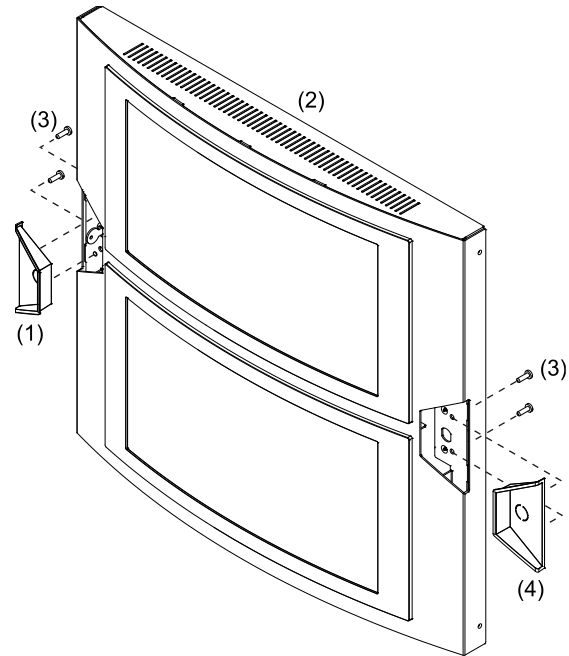
To attach the ground straps to the backbox:

1. Attach one end of the short ground strap (included) to the backbox ground strap stud (Figure 5, item 5).
2. Secure using the lock nut provided.
3. Attach one end of the long ground strap (included) to the backbox ground strap stud (Figure 5, item 7).
4. Secure using the lock nut provided.

To mount the inner door:

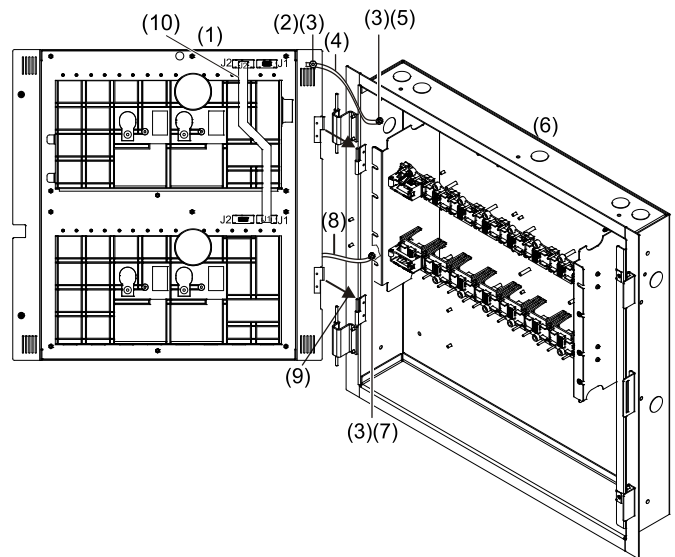
1. Set the inner door onto the inner door hinge pins (Figure 5).
2. Attach the short ground strap (Figure 5, item 5) to the inner door ground strap stud. Secure using the hardware provided.

Figure 4: Door lock housing installation for right-hand operation



- | | |
|--|-----------------------------------|
| (1) Door lock housing (knockout removed) | (3) #4 x 5/16 plastite screw (2X) |
| (2) Outer door | (4) Door lock housing |

Figure 5: Inner door mounting



- | | |
|--|--|
| (1) Inner door | (7) Backbox ground strap stud (outer door) |
| (2) Inner door ground strap stud | (8) Long ground strap (outer door) |
| (3) #8-32 K-nut (3X) | (9) Mount inner door on inner hinge pins |
| (4) Short ground strap (inner door) | (10) 4-CABL0505 UI flex cable |
| (5) Backbox ground strap stud (inner door) | |
| (6) Backbox | |

To mount the outer door:

1. Set the outer door assembly onto the outer door hinge pins as shown in Figure 6).
2. Attach the hinge stop to the mounting studs below the top outer door hinge on the outer door. Secure using the hardware provided. See Figure 2.

- Route the outer door ground strap between the left side of the inner door and the backbox, and then close the inner door and secure it using the captive screws shown in Figure 6.
- Attach the outer door ground strap to the ground stud on the outer door. Secure using the hardware provided (Figure 6).

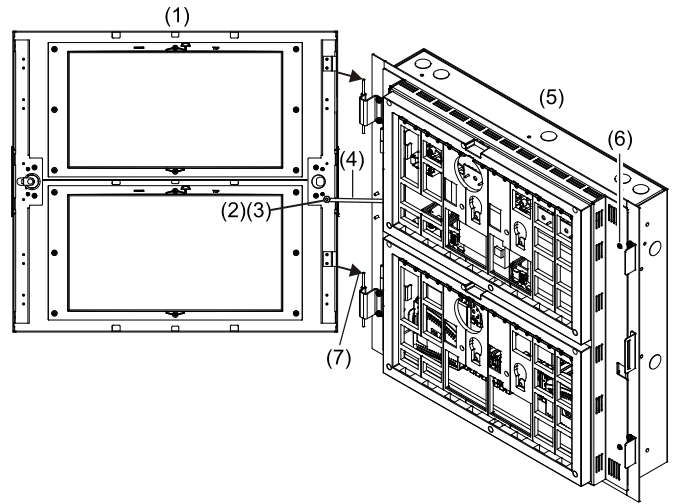
Specifications

Operating environment	
Temperature	32 to 120°F (0 to 49°C)
Relative humidity	0 to 93% noncondensing
Dimensions	
	See Figure 7

Contact information

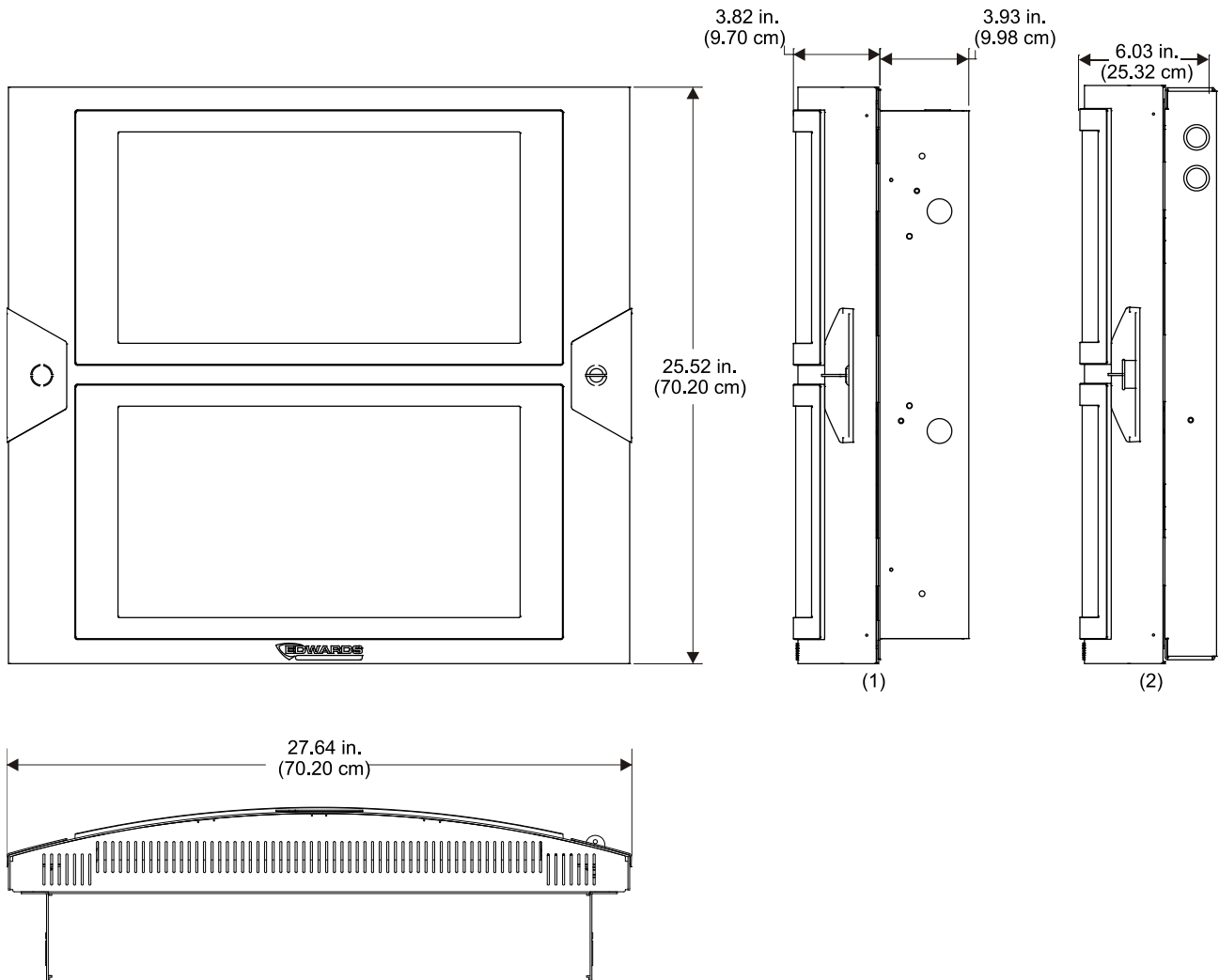
For contact information, see www.edwardsfiresafety.com.

Figure 6: Outer door mounting



- | | |
|------------------------------------|---|
| (1) Outer door | (5) Backbox |
| (2) Outer door ground strap stud | (6) Captive screw (2X) |
| (3) #8-32 K-nut | (7) Mount outer door on outer door hinge pins |
| (4) Long ground strap (outer door) | |

Figure 7: Dimensions



(1) 4-CAB16D installed on a 3-CAB7B backbox. Can be surface mounted or semiflush mounted.

(2) 4-CAB16D installed on a 4-16ANNMT backbox. Can be surface mounted only.